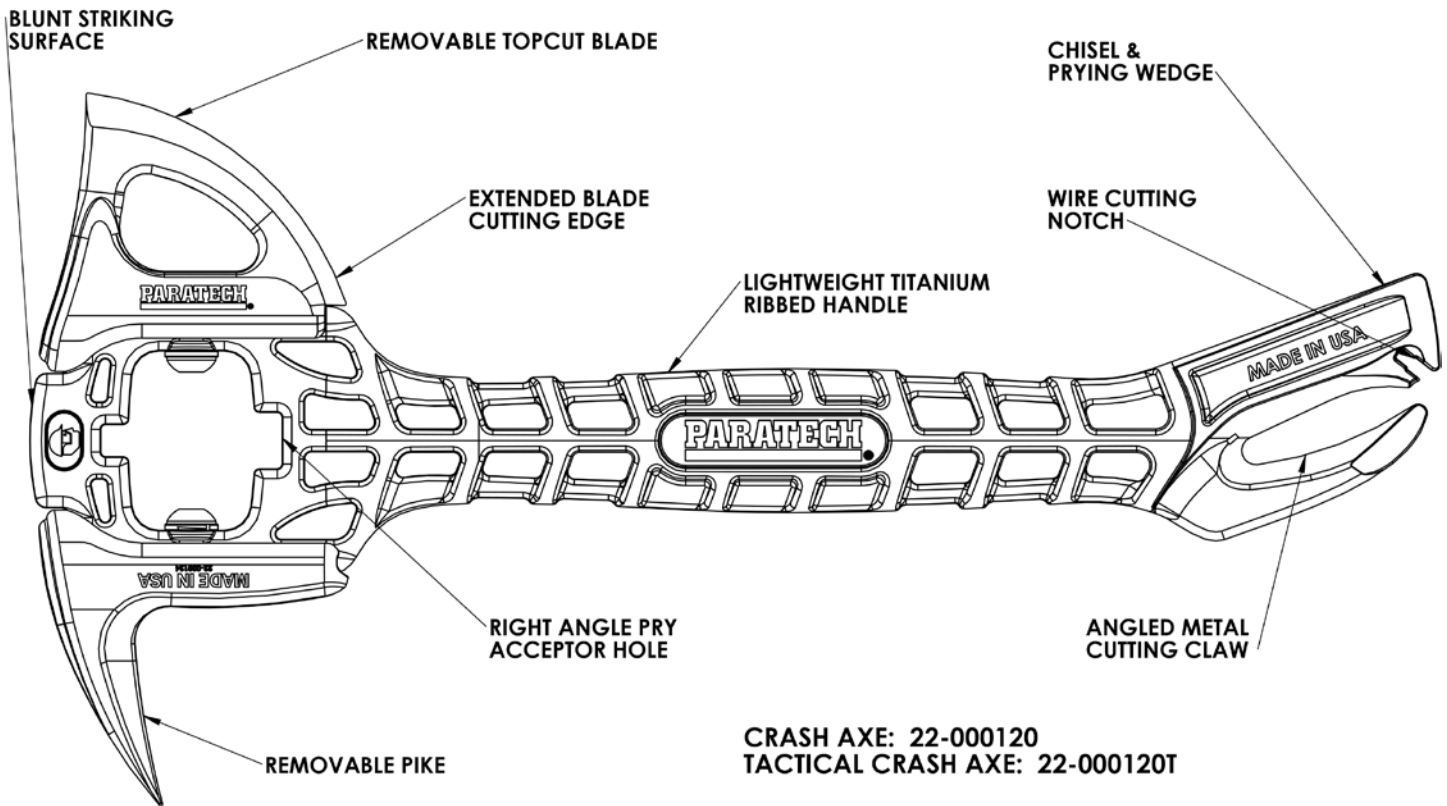


CRASH AXE INSTRUCTION



CRASH AXE: 22-000120
TACTICAL CRASH AXE: 22-000120T

The Paratech Crash Axe is designed to be an ergonomic, lightweight, wearable (using available holster) multi-purpose tool system that can be employed without preparation and used for forcible entry, extraction, and rescue. The Paratech Crash Axe complies with SAE International Aerospace Standard AS5402 and NTSB Crash Axe requirements.

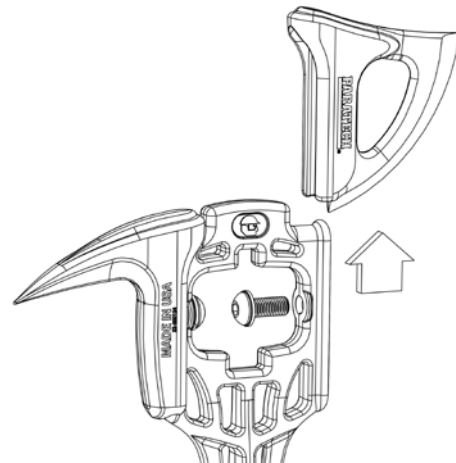
Removable and replaceable hardened **stainless steel** tool bits are rust free, as is the lightweight, Grade 5 Titanium handle. The Paratech Crash Axe is intended for forcing open doors and windows, opening holes, prying and twisting, metal cutting and chopping.

The Crash Axe's **pike** has a non-cylindrical shaped cross section that prevents it from being stuck in penetrated materials. To enlarge a punched hole, rotate the Crash Axe to either side. The pike is designed to puncture holes, crush or chip glass, plastic, tiles or other masonry, twist hasps and other hardware.

The Crash Axe's **blade** is for chopping, busting, prying, or hinge pin removal. The blade incorporates a modified form of Paratech's **Topcut** design that is extended all the way to the axe handle for deeper sheet metal

penetration and faster cutting. The titanium handle is ribbed and flared out near the removable tool bits to keep operator's hands in place, away from the sharp blade.

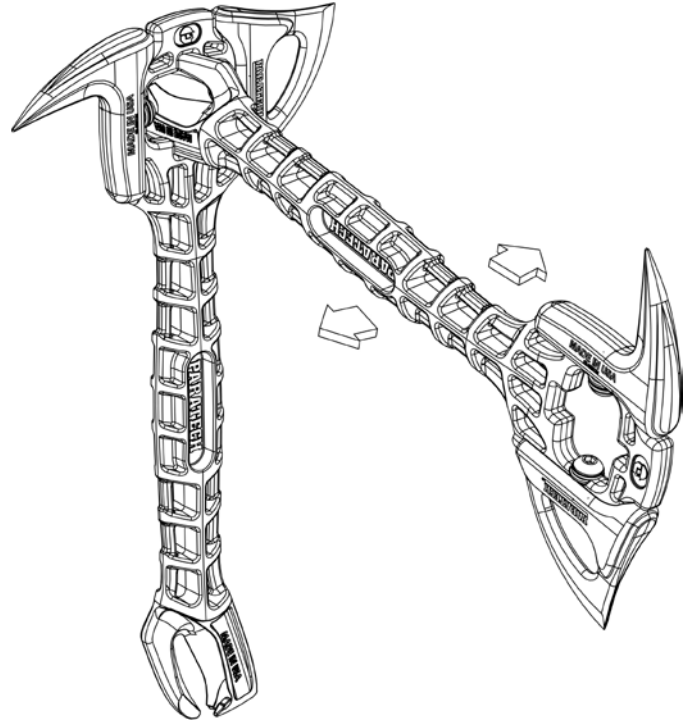
Both the blade and pike are removable for maintenance and/or replacement. The titanium handle is future-ready for upcoming attachment designs that will prove the Paratech Crash Axe to be the ultimate survival and rescue tool.



PARATECH®

The **metal cutting claw** has a forward angle designed to keep the operator's hands away from jagged sheet metal while metal cutting. The end of the cutting claw is thick and smooth so the blade won't jam. The incorporated wire cutting notch is used for cutting through fencing and other metal wire, while providing extra "bite" for the claw during metal cutting. Sheet metal can be cut up to 1/8" thickness.

The Paratech Crash Axe is also a prying tool when using its **chisel & prying wedge** on the opposite end of the removable tool bit head. The "H" shaped cross section of the pry wedge provides maximum strength while adding minimal weight. This geometry also helps to lock the tool into place while prying by focusing the force along the strong edges and deforming the material being spread apart.



In the head of the axe blade there is a spade-shaped hole designed primarily for **right angle prying** with a second Paratech Crash Axe (or other Paratech Forcible Entry Tool) when extra leverage is required. This hole may also be used for attaching rope for use as a grappling hook or as a notch for storing the tool.

Minimal maintenance for the Paratech Crash Axe is required. To remove debris, wash with water and mild soap. Dry thoroughly. The Topcut blade and Pike can all be sharpened as needed or replaced with a single 3/16" hex key. There is no plating to worry about chipping since the tool bits are stainless steel and electropolished.*

Overall dimensions:
7.9" (201mm) W x 15.7" (399mm) L x 1" (25mm) T
Weight: 2.5lbs (1.13kg)

(*The tactical versions of the Paratech Crash Axe Removable Tool Bits are electropolished with black chrome plating. The tactical version of the Titanium handle is finished with black Cerakote Coating.)

RULES FOR SAFE OPERATION

1. All personnel using and assisting with the tool should wear safety clothing (helmets, eye protection, gloves, etc).
2. Clear the area of all bystanders and personnel not directly involved in the operation.
3. Keep fingers, hands, feet, etc. away from striking, prying and cutting areas which the tool may come in contact.
4. Watch for flying objects such as bolts, pieces of glass, masonry and metal.
5. Do not be careless. Use your common sense and training to protect yourself, victims and those in the operation.

Paratech Incorporated
P.O. Box 1000, Frankfort, IL 60423 USA
Customer Service: 800.435.9358
Phone: 815.469.3911 Fax: 815.469.7748
www.paratech.com E-mail: paratech@paratech.us

Paratech Europe, Branch of Paratech Inc.
P.O. Box 174, 5260 Odense S, Denmark
Phone: +45.66.11.24.22 Fax: +45.66.11.24.32
www.paratech.com Email: paratech@paratech.dk



PARATECH CRASH AXE WARRANTY

Each **PARATECH CRASH AXE** or component thereof, manufactured by Paratech Incorporated, has been thoroughly inspected and properly adjusted before shipment to insure the highest quality and the greatest possible reliability.

Paratech Incorporated (hereinafter referred to as "Seller") hereby warrants the **PARATECH CRASH AXE** and components thereof to the original retail buyer only against defects in material and workmanship under normal use and service, for life. This warranty shall constitute the sole warranty of the Seller with respect to the **PARATECH CRASH AXE** or components thereof. **THE SELLER HEREBY DISCLAIMS AND EXCLUDES ALL OTHER WARRANTIES, EXPRESSED OR IMPLIED, INCLUDING ANY IMPLIED WARRANTY OR MERCHANTABILITY OR FITNESS FOR A PARTICULAR PURPOSE.** The Seller neither assumes nor authorizes any other person to assume for it any other obligations or liabilities in connection with the sale or use of this product.

Should there be any defects in the material or workmanship of the **PARATECH CRASH AXE**, the buyer should return the defective product to the factory for inspection with shipping prepaid and a copy of receipt from the date of purchase. If inspection shows that the **PARATECH CRASH AXE** or a component thereof is defective and that such defects were not caused by negligence, misuse, accident or unauthorized service, the product sold hereunder will be repaired or replaced at the option of the Seller, without charge, FOB at the factory, Frankfort, Illinois.

THIS REMEDY SHALL BE THE EXCLUSIVE REMEDY FOR BREACH OF WARRANTY WITH RESPECT TO THE PARATECH CRASH AXE OR COMPONENTS THEREOF. THE SELLER SHALL NOT BE LIABLE FOR INCIDENTAL OR CONSEQUENTIAL DAMAGES RESULTING FROM ANY BREACH OF WARRANTY WITH RESPECT TO THE PARATECH CRASH AXE AND COMPONENTS THEREOF FROM ANY DELAY IN THE PERFORMANCE OF THE REMEDY HEREUNDER.